

morrifield tunnel houses

"The Tunnel house all other Tunnel houses are talking about!"



Morrifield has been producing high quality tunnelhouses for the New Zealand market since 1980. Designed and built in Southland, Morrifield Tunnelhouses extend your growing season and are proven to with-stand New Zealand's harsh weather conditions including snow, hail & high winds.

Why choose a Morrifield Greenhouse?

- New Zealand's original tunnelhouse manufacturer since 1980! Strong construction that resists all weather conditions
- Long life anodised aluminium frame requires no barrier tape
- Plant earlier, harvest for longer and stay out of the wind & rain!
- Tanalised timber bases included (Macrocarpa available on request)
- Grow your own fruit & vegetables all year round. Healthier, fresher, chemical free
- Pre-fabricated cover requires no clipping to the arches
- New Zealand's strongest tunnelhouse, using the same proven design since 1980
- Second-to-none after-sales service & back-up
- New Zealand's easiest tunnelhouse to construct, guaranteed



Replacement Covers

URBAN JUNIOR

2 metre \$210 4 metre \$310

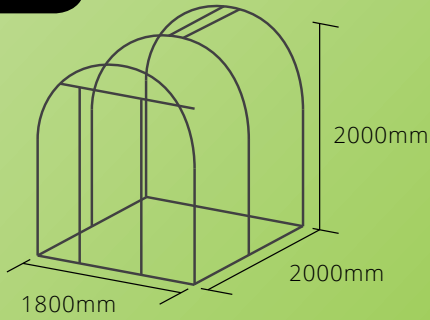
STANDARD MODELS

2.5 metre \$240 4 metre \$310

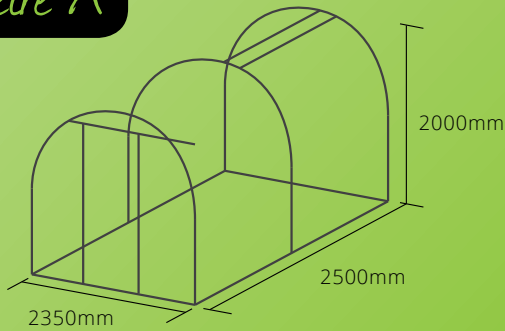
5 metre \$360 6 metre \$405

8 metre \$495 10 metre \$625

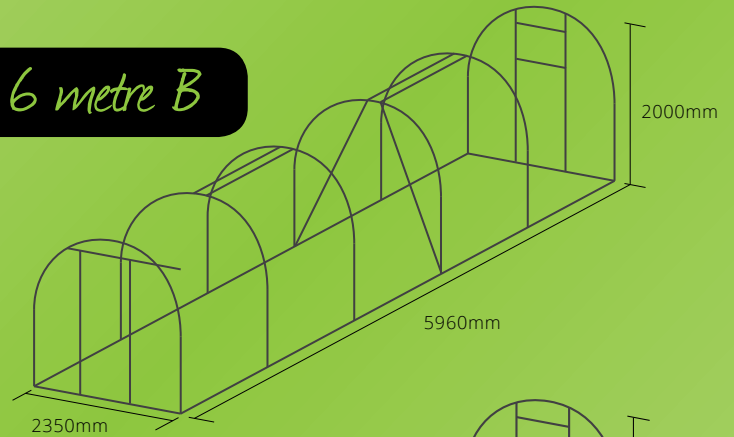
Urban Junior



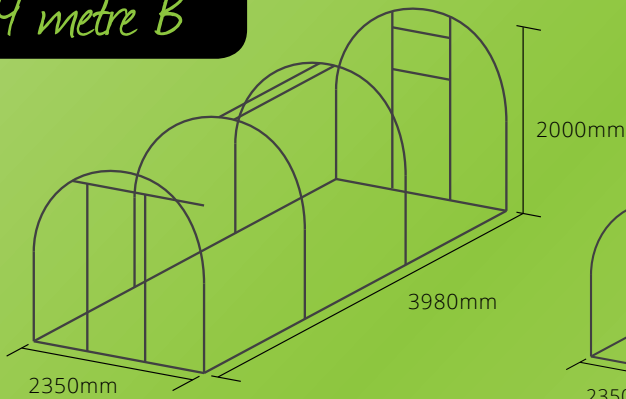
2.5 metre A



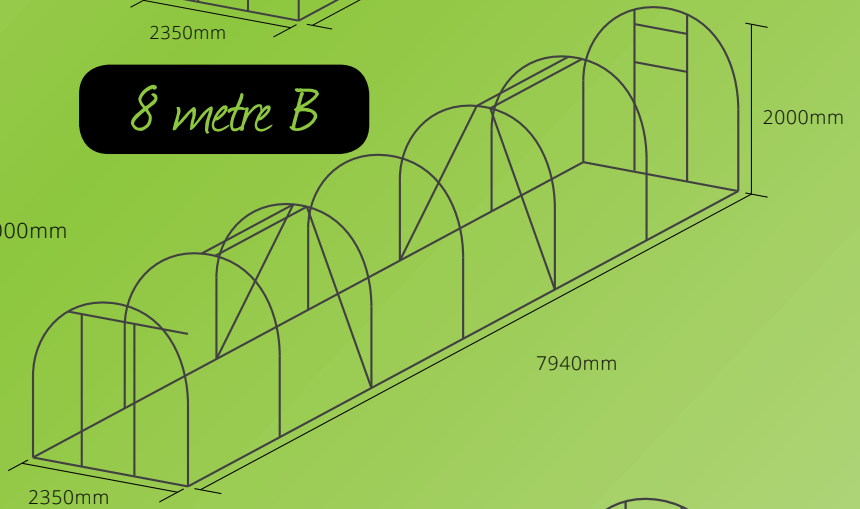
6 metre B



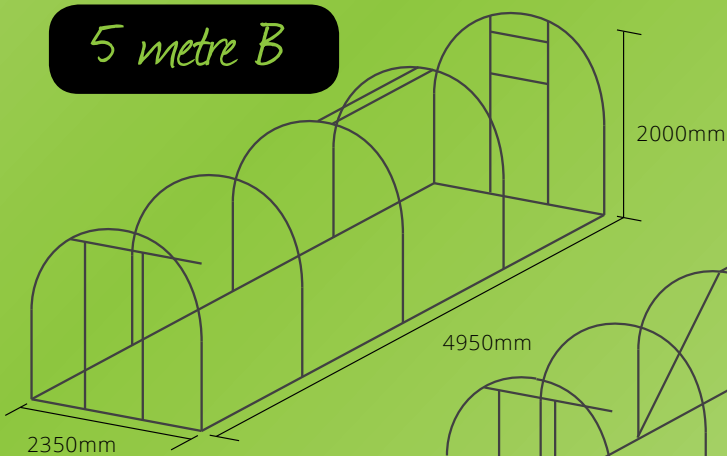
4 metre B



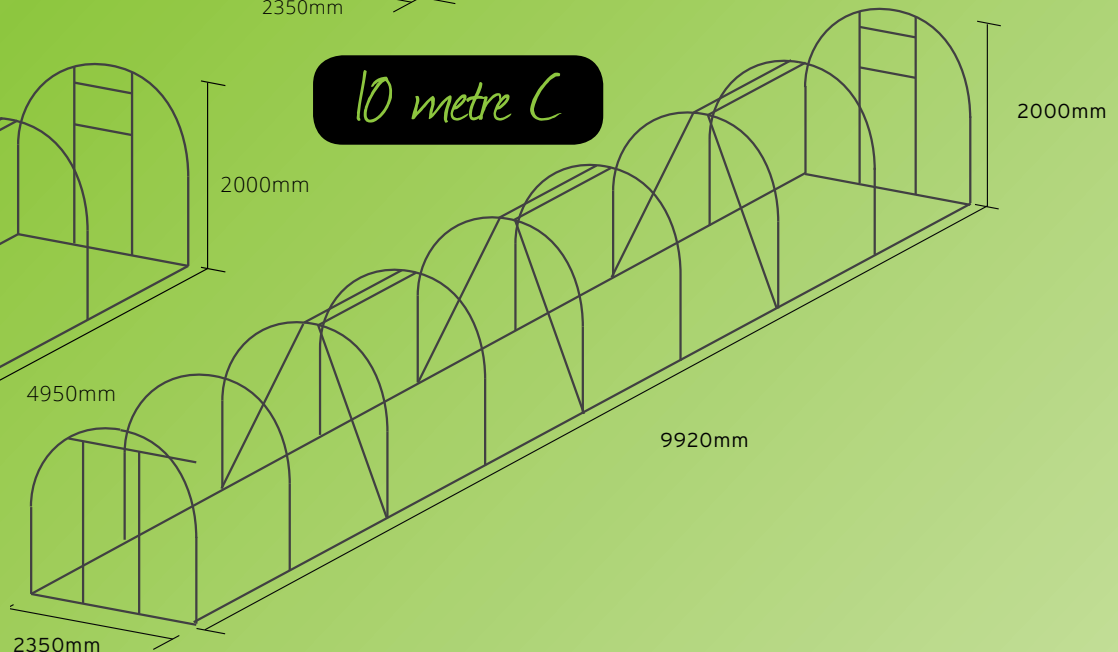
8 metre B



5 metre B



10 metre C



Timber Bases included with kitset (Measurements are external base sizes)
Prices include GST

tunnel houses

"The Tunnel house all other Tunnel houses are talking about!"

north island

Price List

INCLUDES TIMBER BASE

Urban Junior - 1.8 m WIDE 2 metre

a) 1 door and 1 roof vent \$1,230

4 metre

a) 1 door and 1 roof vent \$1,515

b) 1 door, 1 vent and 1 back window \$1,705

Standard Models - 2.35 m WIDE 2.5 metre

a) 1 door and 1 roof vent \$1,330

4 metre

a) 1 door, 1 roof vent \$1,480

b) 1 door, 1 roof vent and 1 back window \$1,670

5 metre

b) 1 door, 1 roof vent, 1 back window \$1,800

6 metre

a) 1 door, 2 roof vents \$1,930

b) 1 door, 2 roof vents, 1 back window \$2,120

c) Front & rear doors, 2 roof vents \$2,230

8 metre

a) 1 door, 2 roof vents \$2,140

b) 1 door, 2 roof vents, 1 back window \$2,330

c) Front & rear doors, 2 roof vents \$2,440

10 metre

c) Front & rear doors, 3 roof vents \$2,865

Optional Extras

High wind kit \$90

Screen Door \$199



Screen door option \$199
Aids ventilation while protecting
against birds & pests

Freight Charges

Freight for Polythene Tunnelhouses
and Crop Protectors is included to the
following North Island destinations:

- AUCKLAND
- CAMBRIDGE
- DANNEVIRKE
- FEILDING
- GISBORNE
- HAMILTON
- HASTINGS
- HUTT VALLEY
- MASTERTON
- MORRINSVILLE
- NAPIER
- NEW PLYMOUTH
- PALMERSTON NORTH
- PUKEKOHE
- ROTORUA
- TAUMARUNUI
- TAUPO
- TAURANGA
- THAMES
- WELLINGTON
- WHAKATANE
- WHANGANUI
- WHANGAREI

Rural charges may apply

crop protection tunnel houses

Price List - CROP PROTECTION

Urban Junior - 1.8 m WIDE

2 metre \$1,190

4 metre \$1,490

Standard Models - 2.35 m WIDE

2.5 metre \$1,290

4 metre \$1,490

5 metre \$1,640

6 metre \$1,890

8 metre \$2,090

10 metre \$2,190

TIMBER BASES INCLUDED

Freight Charges

Freight for Polythene Tunnelhouses and Crop Protectors is included to the following North Island destinations:

- AUCKLAND • CAMBRIDGE • DANNEVIRKE
- FEILDING • GISBORNE • HAMILTON
- HASTINGS • HUTT VALLEY • MASTERTON
- MORRINSVILLE • NAPIER • NEW PLYMOUTH
- PALMERSTON NORTH • PUKEKOHE
- ROTORUA • TAUMARUNUI • TAUPO
- TAURANGA • THAMES • WELLINGTON
- WHAKATANE • WHANGANUI • WHANGAREI

Rural charges may apply



Features

- Keep birds, white butterfly and other pests off your vegetables!!
- Allows natural watering and exposure to the elements
- 4 year UV warranty
- Frame based on proven, existing design
- Interchangeable with polythene model
- 30% white windbreak cover
- Includes timber base



Your local stockist is:

morrifield
DEVELOPMENTS LIMITED

twinwall greenhouses

"The Greenhouse all other Greenhouses are talking about!"

polycarbonate



We believe at Morrifield that this is New Zealand's strongest green house.

A very attractive model, available in a range of sizes to suit all gardens. Delivered partially assembled for easy installation, the 6mm twinwall sheeting is strong, durable and provides a double glazing effect to better retain heat & extend your growing season. Full length roof vents and mesh doors as standard allow for excellent ventilation. Extremely durable and proven to stand up to New Zealand's strongest winds.

- New Zealand's only greenhouse designed for twinwall polycarbonate, not a modified glasshouse
- Quality 6mm polycarbonate has a 15 year U.V. warranty
- Full length roof vents & screen doors as standard
- New Zealand's strongest greenhouse.
- Grow your own fruit & vegetables all year round. Healthier, fresher, chemical free
- Designed and manufactured entirely in Southland since 1980
- Curved sheeting design gives maximum strength
- Less framing means less shading = more available light to promote plant growth



morrifield
DEVELOPMENTS LIMITED

twinwall greenhouses

"The Greenhouse all other Greenhouses are talking about!"

polycarbonate

Price List - TWINWALL

2.4m x 2.5m

Polycarbonate door & screen door on front,
full length roof vent **\$2,855**

2.4m x 3.6m

Polycarbonate door & screen door on front,
full length roof vent **\$3,455**

2.4m x 4.8m

Polycarbonate door & screen door on front,
full length roof vent **\$4,085**

2.4m x 6m

Polycarbonate door & screen door on front,
full length roof vent **\$4,655**

2.4m x 7.2m

Polycarbonate & screen doors front & rear,
full length roof vent **\$5,555**

2.4m x 8.4m

Polycarbonate & screen doors front & rear,
full length roof vent **\$6,155**

OPTIONAL EXTRAS

Tanalised 150mm x 50mm Timber Base

2.5m.....**\$145** 6m.....**\$255**

3.6m.....**\$180** 7.2m.....**\$285**

4.8m.....**\$215** 8.4m.....**\$325**

Back doors **\$450**



Features

- 6mm polygal twinwall sheeting
- Full length roof vent standard
- Twinwall gives a double glazing effect and helps keep warmth inside
- Better frost protection than Plastic or Glass clad greenhouses
- Twinwall is 200 times stronger than 4mm glasshouse glass
- Option to supply your own base
- Front and rear ends pre-assembled

morrifield
DEVELOPMENTS LIMITED

FREIGHT NOT INCLUDED - P.O.A.
ALL PRICES INCLUDE GST